



Description

SB is a tensile type load cell of aluminium/steel material. Steel covers are attached to the outside of the load cell to protect against external shocks. Suitable for tensile scale, tensile material testing machines.

Features

- ▶ Tensile type
- ▶ Protecting external shocks with steel covers

Option

- ▶ Rod end bearing type accessories (20 to 500 kgf: M12 x 1.75) (1-2tf: M18 x 1.5)

Application

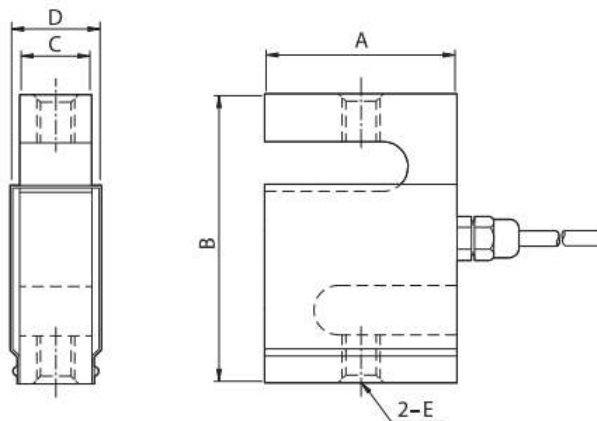
- ▶ Material tester
- ▶ Tensile testing machine

Specifications

Capacity(R.L.)	kgf	20, 50, 75, 100, 200, 250, 500, 1K, 2K	
Rated Output	mV / V	2.0 ± 0.005	
Zero Balance	mV / V	0.0 ± 0.02	
Accuracy Class	-	-	
Non-Linearity	% R.O.	≤0.03	
Hysteresis	% R.O.	≤0.03	
Combined Error	% R.O.	≤0.03	
Repeatability	% R.O.	≤0.01	
Creep for 30min.	% R.O.	≤0.03	
Return for 30min.	% R.O.	≤0.03	
Resolution	-	≤1/3000	
Division	mV / V	0.00067	
Temperature Effect on	-Zero Value -Output Value	%/10°C %/10°C	≤0.028 ≤0.015
Excitation	-Recommended -Maximum	V V	10 15
Resistance	-Input -Output -Insulation	Ω Ω MΩ	430 ± 40 350 ± 3.5 > 2000
Compensated Temperature Range	°C		-10 to +40
Operating Temperature Range	°C		-30 to +80
Material & Plate	-		Aluminum, Steel
Cable Specification	-		Ø5.4 x 4P x 3m (Urethane)
Safety Overload	% R.L.		150

Dimensions

- ▶ SB



Capa.	A	B	C	D	E	Cable (m)
20-500kgf	70	80	24	32	M12X1.75	3
1-2tf	80	100	30	38	M18 X 1.5	