

SBS-EXP

Explosion Proof
S-beam Load Cell



DESCRIPTION

The SBS-EXP is stainless steel S-Beam type Load Cell of an explosion proof version. It is suitable for a wide range application of process weighing and force measurements.

SPECIFICATION

Capacity(R.L.)	kgf	500, 1K, 2K, 5K	
Rated output (R.O.)	mV / V	2.0 ± 0.002	
Zero balance	mV / V	0.0 ± 0.02	
Accuracy Class	-	-	
Non-linearity	% R.O.	≤ 0.05	
Hysteresis	% R.O.	≤ 0.05	
Combined Error	% R.O.	≤ 0.05	
Repeatability	% R.O.	≤ 0.02	
Creep for 30min	% R.O.	≤ 0.03	
Return for 30min	% R.O.	≤ 0.03	
Resolution	-	≤ 1/2000	
Division	mV / V	0.001	
Temperature effect on	- Zero Value	%/10°C	≤ 0.03
	- Output value	%/10°C	≤ 0.014
Excitation	- Recommended	V	10
	- Maximum	V	15
Resistance	- Input	Ω	400 ± 25
	- Output	Ω	350 ± 3.5
	- Insulation	MΩ	2000
Comensated Temperature Range	°C	-10 to +40	
Operating Temperature Range	°C	-30 to +80	
Material & Plate	-	Stainless steel, Buffing	
Cable specification	-	Ø5.4 x 4P x 5M (Urethane-Gray)	
Safety overload	% R.L.	150%	
Platform size	mm	-	

Features

- ▶ Stainless steel construction
- ▶ Tension Load Cell
- ▶ Designed according to IP67
- ▶ Ex ia IIC T4 - KCS hazardous area approval

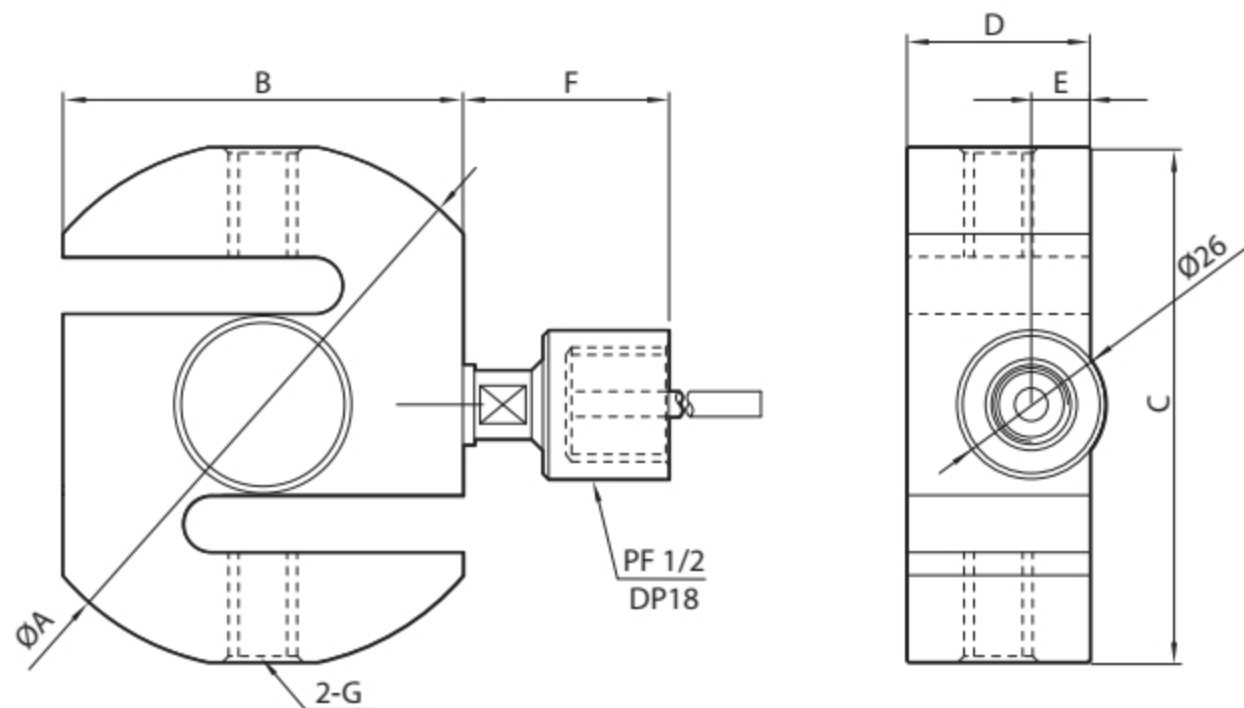
Options

- ▶ Rod End Accessory(500kg : M12 x 1.75)
- ▶ Rod End Accessory(1~2K : M18 x 1.5)
- ▶ Rod End Accessory(5K : M18 x 1.5)

Applications

- ▶ Hopper scales
- ▶ Material testing machines

DIMENSION



Capa.	A	B	C	D	E	F	G
500kgf	92	70	90	32	10.3	36	M12 x 1.75
1tf	92	70	90	32	10.3	36	M18 x 1.5
2tf							M18 x 1.5
5tf	130	100	120	45	15	36	M24 x 2.0