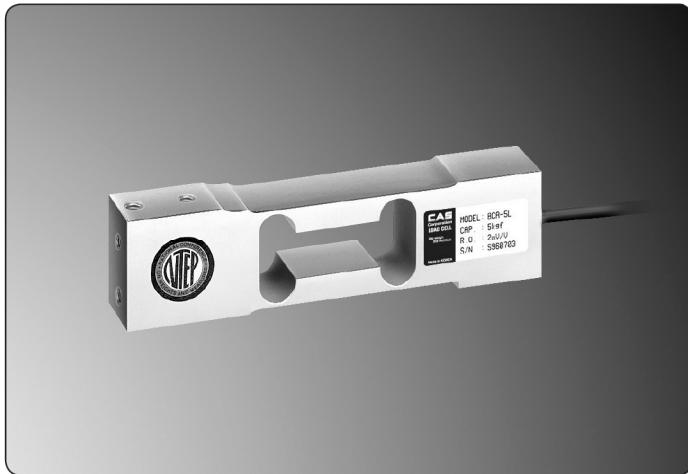
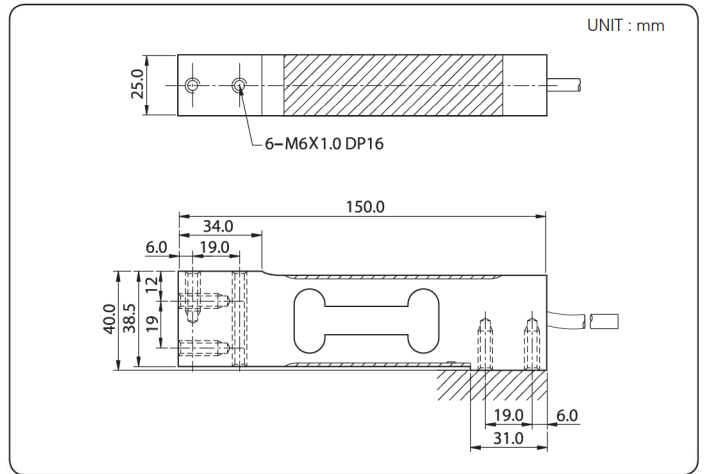




### LOAD CELL



### DIMENSION



### FEATURES

- OIML C3 Approved (OIML R60)
- NTEP III 5,000 Approved (Handbook 44)
- Off center compensated (OIML R76)
- Ex ia IIC T4 Approved
- Easy installation
- Designed according to IP65

### OPTIONS

- OIML C3 Approved (OIML R60)
- NTEP III 5,000 Approved (Handbook 44)
- 6-wire connection
- Ex ia IIC T4 Approved



### SPECIFICATION

Capacity		kgf	5, 10, 15, 20, 30, 50, 75, 100	
Rated Output		mV / V	2.0 ± 0.2	
Zero Balance		mV / V	0.0 ± 0.1	
Accuracy Class		-	D3	C3
Non-Linearity		% R.O.	≤ 0.03	≤ 0.02
Hysteresis		% R.O.	≤ 0.03	≤ 0.02
Combined Error		% R.O.	≤ 0.03	≤ 0.02
Repeatability		% R.O.	≤ 0.01	≤ 0.01
Creep for 30min.		% R.O.	≤ 0.03	≤ 0.017
Return for 30min.		% R.O.	≤ 0.03	≤ 0.017
Resolution		-	≤ 1/3000	≤ 1/5000
Division		mV / V	0.00067	0.0004
Temperature Effect on	-Zero Value	%/10°C	≤ 0.028	≤ 0.014
	-Output Value	%/10°C	≤ 0.014	≤ 0.011
Excitation	-Recommended	V	10	
	-Maximum	V	15	
Resistance	-Input	Ω	420 ± 20	
	-Output	Ω	350 ± 3.5	
	-Insulation	MΩ	> 2000	
Compensated Temperature Range		°C	- 10 to + 40	
Operating Temperature Range		°C	- 20 to + 70	
Material & Plate		-	Anodized Aluminum	
Cable Specification		-	∅5 x 4P x 1M (Urethane)	
Safety Overload		% R.L.	150% R.L.	
Platform Size		mm	400 x 400	