

EXI series

Compressive Explosion Proof Indicator

EXI Series is an explosion-proof indicator that is suitable for explosion-proof platform scale, weighing explosive substances, checker scale and packer scale.



EXI-200AD



EXI-600AD

Explosion proof

Front opening structure

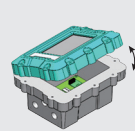
Fast and accurate weighing performance

Variety of interfaces

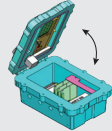
Explosion proof



Front opening structure

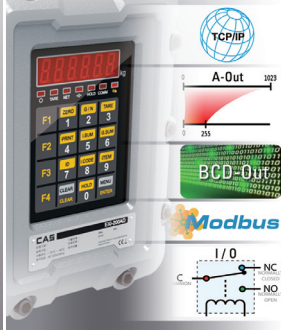


EXI-200AD



EXI-600AD

Variety of interfaces



Explosion proof

Front opening structure

Fast and accurate weighing performance

Variety of interfaces

Scan with your smartphone to find more products



EXI series

Compressive Explosion Proof Indicator



FEATURE

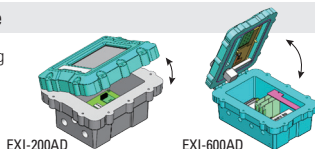
Explosion proof

- Explosion-proof, Dust explosion protection
- Water proof(IP66)



Front opening structure

- Easy installation & repairing



Fast and accurate weighing performance

- Sample rate(A/D conversion speed) : 5~320 times/sec
- Resolution : 1/10,000



Touch keypad

- Constant voltage touch method



User-friendly Graphic interface(EXI-600AD)

- Use 4.3" Full Graphic TFT LCD
- Display many information (message, data)



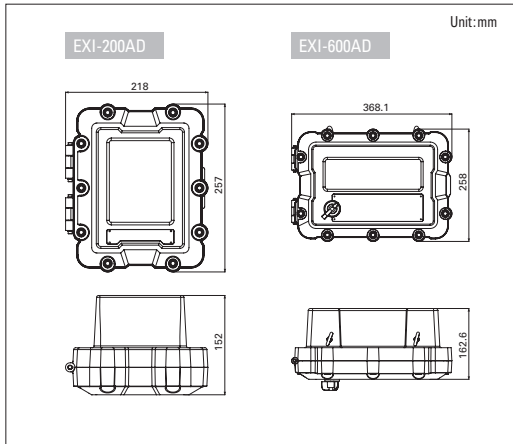
Variety of interfaces

- RS-485(Stream mode, Command Mode, MODBUS RTU)
- External I/O
 - 2 Inputs / 4 outputs(EXI-200AD)
 - 4 Inputs / 6 outputs(EXI-600AD)
 - 6 Inputs / 8 outputs(EXI-600AD)
- Analog output(0~20mA, 0~24mA, 4~20mA, 0~5V, 0~10V, ±5V, ±10V)
- BCD output(EXI-600AD)
- Ethernet

SPECIFICATIONS

Model	EXI-200AD	EXI-600AD
Exp. Grade	Ex d IIB+H2 T6 (Ex tD A21 T80~120°C IP66)	Ex d IIB+H2 T6 (Ex tD A21 T80~120°C IP66)
In. Sensitivity	0.5μV / D(0.2μV / D)	0.5μV / D(0.3μV / D)
Ex. Voltage	DC5V	DC5V
Loadcell Conn.	8EA(350ohm)	8EA(350ohm)
Zero Adj. Range	0 mV/V ~ 2 mV/V	0 mV/V ~ 2 mV/V
A/D SPS	320 times/sec	200 times/sec
DISPLAY	7 segment 6digits LED	4.3" Graphic LCD
INTERFACE	RS-232C x 2ea	RS-232C x 2ea
	RS-422/485(MODBUS RTU)	RS-422/485(MODBUS RTU)
Option	Analog out(4~20mA, 0~10V)	Analog out(4~20mA, 0~10V)
	Ethernet	BCD-OUT
	EXT I/O : 2 inputs, 4 outputs	RS-232C to USB
	-	Ethernet Card
	-	EXT I/O : 4 inputs, 6 outputs
-	EXT I/O : 6 inputs, 8 outputs	

DIMENSION



APPLICATION

- Steel Industry
- Chemical Plant
- Industrial Plants

