



Features

- ▶ Pressure type
- ▶ Stainless steel material
- ▶ Hermetically Sealed Structure
- ▶ Explosion-proof Structure
- ▶ Designed according to IP66

Option

- ▶ BCEP-EXP / Intrinsic Safety (Ex ia IIC T4)
- ▶ BCEP-EXP-D / Flameproof (Ex d IIC T4)
- ▶ BCEP-EXP-TD / Dust-proof (Ex tD A21 T135C IP66)

Application

- ▶ Bench Scale
- ▶ Platform Scale

Description

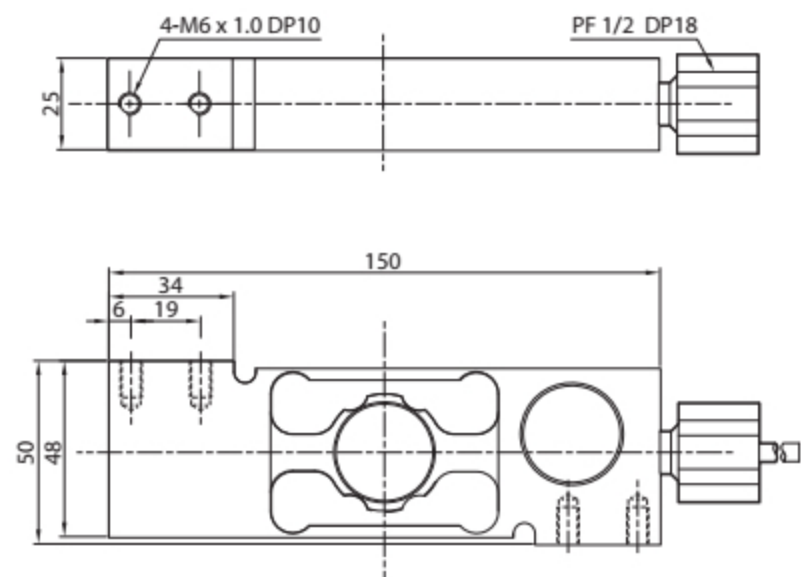
BCEP-EXP is a stainless steel Single point type load cell. BCEP-EXP is built for hazardous environments such as in explosive and moist settings. This high-accuracy Load Cell is used for small-sized Explosion-Proof Scales.

Specifications

Capacity(R.L.)		kgf	10, 20, 50	
Rated Output	mV / V		2.0 ± 0.2	
Zero Balance	mV / V		0.0 ± 0.2	
Accuracy Class	-		A	B
Non-Linearity	% R.O.		≤ 0.02	≤ 0.03
Hysteresis	% R.O.		≤ 0.02	≤ 0.03
Combined Error	% R.O.		≤ 0.02	≤ 0.03
Repeatability	% R.O.		≤ 0.01	≤ 0.01
Creep for 30min.	% R.O.		≤ 0.017	≤ 0.03
Return for 30min.	% R.O.		≤ 0.017	≤ 0.03
Resolution	-		≤ 1/5000	≤ 1/3000
Division	mV / V		0.0004	0.00067
Temperature Effect on	-Zero Value	%/10°C	≤ 0.014	≤ 0.028
	-Output Value	%/10°C	≤ 0.011	≤ 0.014
Excitation	-Recommended	V	10	
	-Maximum	V	15	
Resistance	-Input	Ω	420 ± 20	
	-Output	Ω	350 ± 3.5	
	-Insulation	MΩ	> 2000	
Compensated Temperature Range	°C		-10 to + 40	
Operating Temperature Range	°C		-30 to + 80	
Material & Plate	-		Stainless steel	
Cable Specification	-		Ø5 x 4P x 3m (Urethane)	
Safety Overload	% R.L.		150	
Platform Size	mm		300 x 300	

Dimensions

▶ Intrinsic Safety



▶ Flameproof, Dust-proof

