

LS-EXP | Explosion Proof Pancake Load Cell



DESCRIPTION

The LS-EXP is a pancake type universal (Tension and compression) Load Cell of an explosion proof version. It is ideally suitable for process weighing such as tank and hopper scales in a hazardous area.

SPECIFICATION

Capacity(R.L.)	tf	1, 2, 3, 5, 10, 20, 30, 50, 100, 200	
Rated output (R.O.)	mV / V	2.0 ± 0.005 / 3.0 ± 0.0075(100, 200tf)	
Zero balance	mV / V	0.0 ± 0.02	
Accuracy Class	-	D3	C3
Non-linearity	% R.O.	≤ 0.05	≤ 0.02
Hysteresis	% R.O.	≤ 0.05	≤ 0.02
Combined Error	% R.O.	≤ 0.05	≤ 0.02
Repeatability	% R.O.	≤ 0.02	≤ 0.01
Creep for 30min	% R.O.	≤ 0.03	≤ 0.03
Return for 30min	% R.O.	≤ 0.03	≤ 0.03
Resolution	-	≤ 1/2000	≤ 1/5000
Division	mV / V	0.001	0.0004
Temperature effect on	- Zero Value	%/10°C	≤ 0.03
	- Output value	%/10°C	≤ 0.03
Excitation	- Recommended	V	10
	- Maximum	V	15
Resistance	- Input	Ω	350 ± 3.5
	- Output	Ω	350 ± 3.5
	- Insulation	MΩ	2000
Comensated Temperature Range	°C	-10 to +40	
Operating Temperature Range	°C	-30 to +80	
Material & Plate	-	Paint finished steel	
Cable specification	-	Ø8 x 4P x 10M (Urethane-Gray)	
Safety overload	% R.L.	150%	
Platform size	mm	-	

Features

- ▶ Universal (Tension and compression) Load Cell
- ▶ High reliability against fatigue and side force
- ▶ Ex ia IIC T4 - KCS hazardous area approval

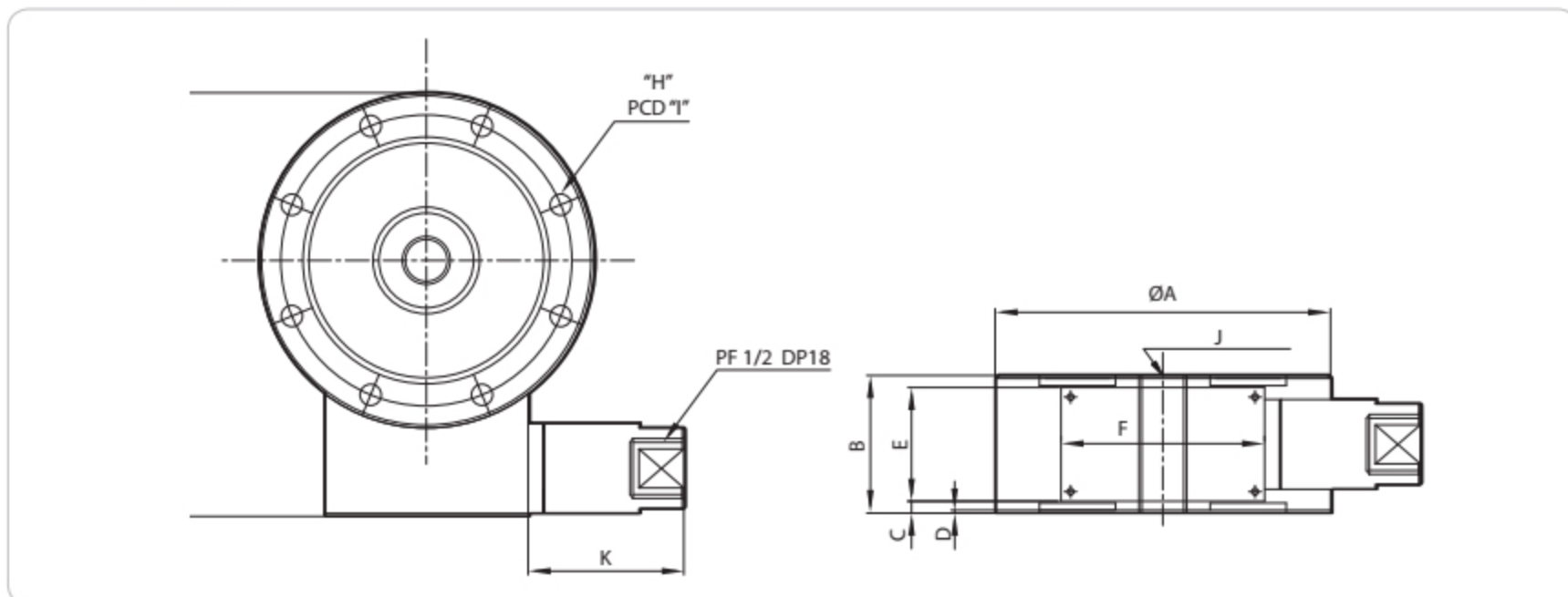
Options

- ▶ Accessory for compression
- ▶ Accessory for tension
- ▶ Ball type accessory

Applications

- ▶ Hopper scales
- ▶ Tank scales
- ▶ Material test machine

DIMENSION



Capa.	A	B	C	D	E	F	G	H	I	J	K
1/2/3tf	112.0	46.0	4.0	1.0	38.0	68.0	141.5	8-Ø7.1	97.2	M16 x 2.0	52
5tf	120.0	46.0	4.0				149.9	8-Ø9.0	103.2	M18 x 1.5	
10tf	138.0	60.0	11.0				169.5	8-Ø11	117.6	M24 x 2.0	
20/30tf	184.0	80.0	21.0				218	8-Ø14	157.6	M39 x 2.0	
50tf	200.0	60.0	11.0				234.5	12-Ø14.5	170.0	M45 x 3.0	
100tf	278.0	90.0	2.0				314.3	16-Ø16.3	229.0	M70 x 3.0	
200tf	355.0	108.0	35.0				392.2	12-Ø26	298.0	M90 x 3.0	