

BSS | Shear Beam

DESCRIPTION

The BSS is a low profile shear beam Load Cell. It is suitable for platform scales, pallet scales, tank scales and Hopper scales etc.

The stainless steel design provides the best reliability in tank weighing applications.

Approved to OIML and NTEP. It is available with Ex ia IIC T4 approval in hazardous areas.



Specifications

Capacity		kgf	500, 1K, 2K, 3K, 5K	
Rated Output	mV / V		2.0 ± 0.005	
Zero Balance	mV / V		0.0 ± 0.02	
Accuracy Class	-		D3	C3
Non-Linearity	% R.O.	≤ 0.03		≤ 0.025
Hysteresis	% R.O.	≤ 0.03		≤ 0.025
Combined Error	% R.O.	≤ 0.03		≤ 0.025
Repeatability	% R.O.	≤ 0.01		≤ 0.01
Creep for 30min.	% R.O.	≤ 0.03		≤ 0.017
Return for 30min.	% R.O.	≤ 0.03		≤ 0.017
Resolution	-	≤ 1/3000		≤ 1/4000
Division	mV / V	0.0067		0.005
Temperature Effect on	- Zero Value	%/10°C	0.028	0.014
	- Output Value	%/10°C	0.014	0.011
Excitation	- Recommended	V	10	
	- Maximum	V	15	
Resistance	- Input	Ω	350 ± 3.5	
	- Output	Ω	350 ± 3.5	
	- Insulation	MΩ	> 2000	
Compensated Temperature Range	°C		-10 to +40	
Operating Temperature Range	°C		-30 to +80	
Material & Plate	-		Stainless Steel	
Cable Specification	-		Ø5.4 x 4P x 5M (Urethane)	
Safety Overload	% R.L.		150%R.L.	
Platform Size	mm		Without Limit	



Features

- ▶ Max capacities of 500–5,000kg
- ▶ OIML C3 approval (OIML R60)
- ▶ NTEP Class III 5000d approval
- ▶ Low profile
- ▶ Stainless steel
- ▶ Threaded load hole

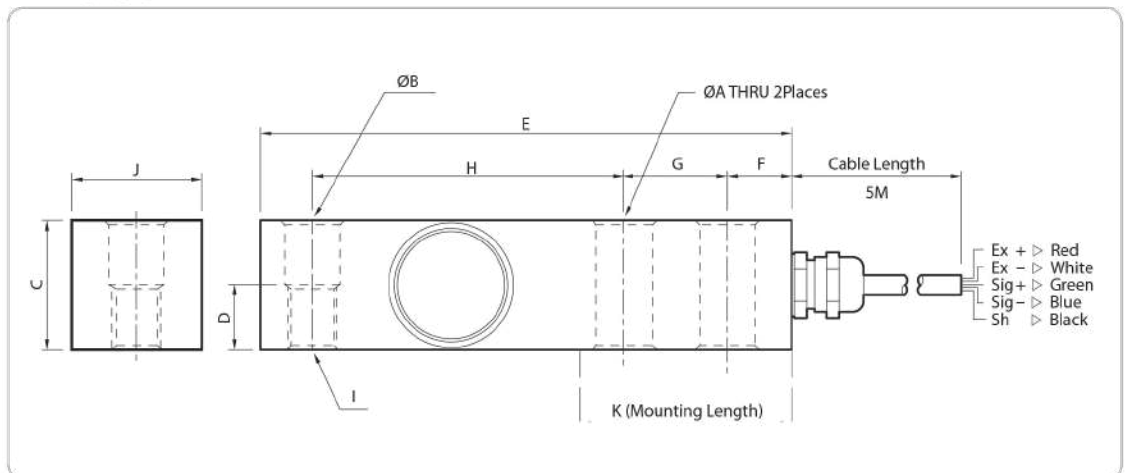
Options

- ▶ TW bolt type accessory available
- ▶ TWE ball & safety guide bar type accessory available
- ▶ Ex ia IIC T4 approval type

Applications

- ▶ Platform scales
- ▶ Tank and hopper scales

Dimension



Capa.	A	B	C	D	E	F	G	H	I	J	K
500kgf											
1tf	13.5	13.5	31.7	15.8	130	15.8	25.4	76.2	M12 x 1.75	31.7	52
2tf											
3tf											
5tf	20	20	38.1	19.1	171.5	19	38.1	95.3	M18 x 1.5	38.1	76.2