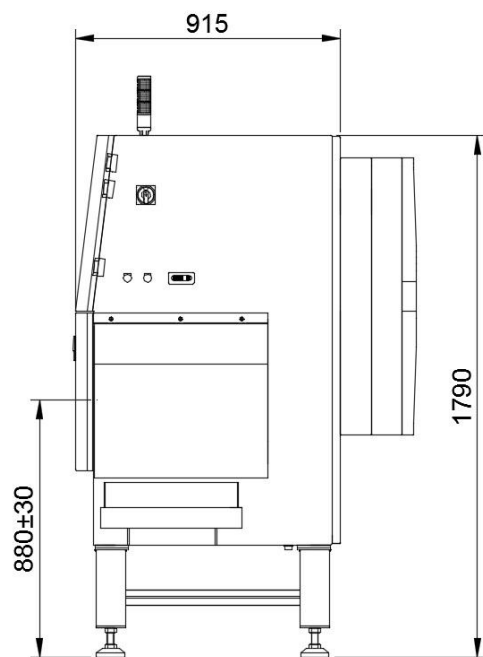
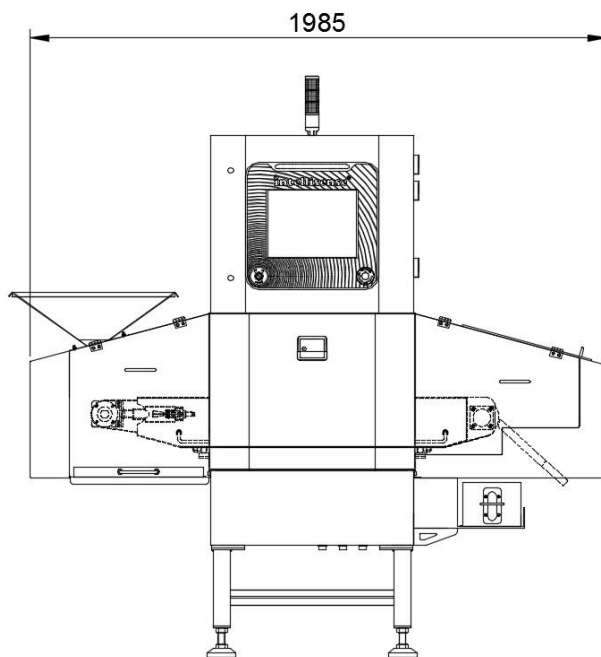
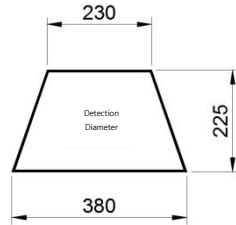


Bulk or Unpacked Package *QUALITY MANAGEMENT SOLUTIONS*

# *Intellisense XIS-3000D*

**Non-destructive Testing (NDT) Systems for process industry**



<b>TECHNICAL SPECIFICATIONS X-Ray Inspection Systems</b>	
<b>Model</b>	<b>Intellisense XIS-3000D</b>
<b>General Specification</b>	
Tunnel Size	Hopper input Method
C/V Height	Apply Customer Request Height
C/V Speed	10m/min ~ 60m/min <sup>1)</sup>
User Interface	LCD Touch Monitor (Graphic Use)
<b>Main Frame</b>	
Main Body	Stainless Steel
<b>Cooling Type</b>	
Air Conditioner	Panel Type
<b>X-Ray Generator</b>	
X-Ray Leakage	Less than legal limit
X-Ray Output	80 kV / 7.0mA (Max 300W)
Cooling System	Oil Type
<b>Detector</b>	
Detector Type	Line Scan
Pixel Size	0.4 mm × 0.4 mm
Detector Size	410 mm
<b>Data Analysis</b>	
Display	17" LCD Touch Monitor
Image Record	Saving NG Image within expiration date
Report	Automated daily report generation and Excel extraction
Data Backup	External USB Port (2EA)
<b>Main Program</b>	
Operating System	Windows Embedded / SSD & HDD / Intel 6th i5-6500 (3.2GHz)
Software	Intellisense Program
Image Analysis	Optimized algorithm for best performance
<b>Operation</b>	
Main Power	220 VAC, 60Hz
Capacity	Approx. 2 kW
Operation Environment	Temp : 5~35 °C / Humidity : 30~85% RH (Non-Condensation)
Weight	560 kg
Size((L×W×H):	1,985 mm(L) × 915 mm(W) × 1,790 mm(H)

<sup>1)</sup> Variation according to product size and field conditions.