

DESCRIPTION

The LSS-EXP is a stainless steel pancake Load Cell of an explosion proof version. It is ideally suitable for process weighing such as tank and hopper scales in a hazardous area.



SPECIFICATION

Capacity(R.L.)	tf	1, 2, 3, 5, 10, 20, 30, 50	
Rated output (R.O.)	mV / V	2.0 ± 0.005	
Zero balance	mV / V	0.0 ± 0.02	
Accuracy Class	-	-	
Non-linearity	% R.O.	≤ 0.03	
Hysteresis	% R.O.	≤ 0.03	
Combined Error	% R.O.	≤ 0.03	
Repeatability	% R.O.	≤ 0.02	
Creep for 30min	% R.O.	≤ 0.03	
Return for 30min	% R.O.	≤ 0.03	
Resolution	-	≤ 1/3000	
Division	mV / V	0.0006	
Temperature effect on	- Zero Value	%/10°C	≤ 0.03
	- Output value	%/10°C	≤ 0.03
Excitation	- Recommended	V	10
	- Maximum	V	15
Resistance	- Input	Ω	350 ± 3.5
	- Output	Ω	350 ± 3.5
	- Insulation	MΩ	2000
Comensated Temperature Range	°C	-10 to +40	
Operating Temperature Range	°C	-30 to +80	
Material & Plate	-	Stainless steel, Buffing	
Cable specification	-	Ø8 x 4P x 10M (Urethane-Gray)	
Safety overload	% R.L.	150%	
Platform size	mm	-	

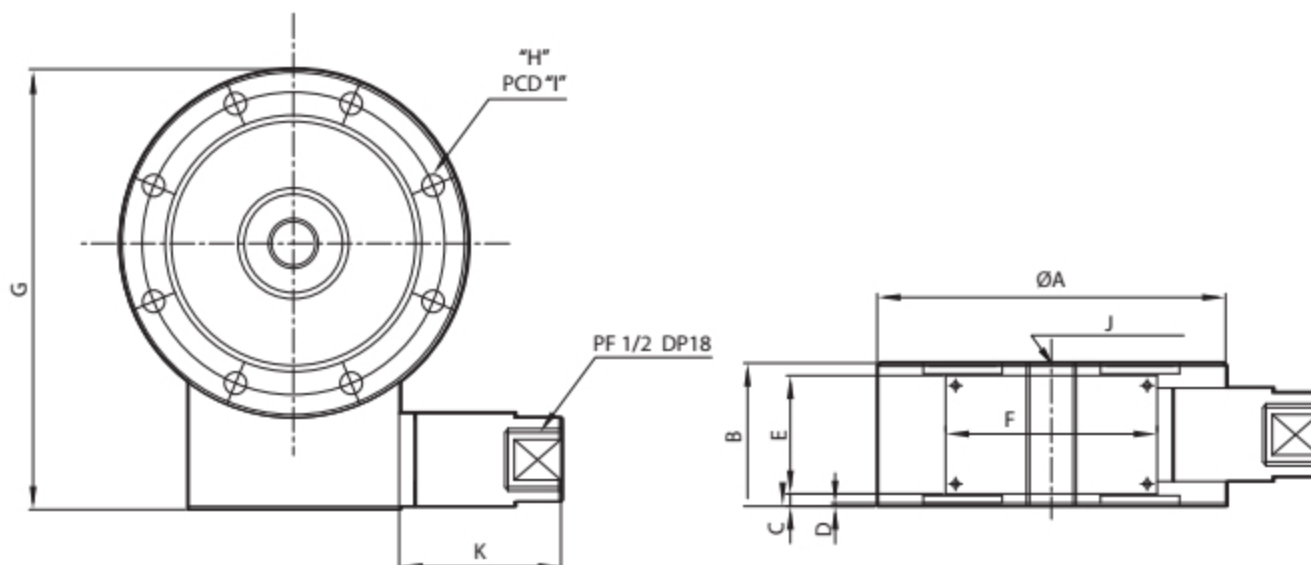
Features

- ▶ Stainless steel construction
- ▶ Fully welded construction
- ▶ Universal(Tension and compression) Load Cell
- ▶ High reliability against fatigue and side force
- ▶ Ex ia IIC T4 - KCS hazardous area approval

Options

- ▶ Accessory for compression
- ▶ Accessory for tension
- ▶ Ball type accessory

DIMENSION



Applications

- ▶ Hopper scales
- ▶ Tank scales
- ▶ Material test machine

Capa.	A	B	C	D	E	F	G	H	I	J
1/2/3tf	112.0	46.0	4.0	1.0	38.0	68.0	141.5	8-Ø7.1	97.2	M16 x 2.0
5tf	120.0	46.0	4.0				149.9	8-Ø9.0	103.2	M18 x 1.5
10tf	138.0	60.0	11.0				169.5	8-Ø11	117.6	M24 x 2.0
20/30tf	184.0	80.0	21.0				218	8-Ø14	157.6	M39 x 2.0
50tf	200.0	60.0	11.0				234.5	12-Ø14.5	170.0	M45 x 3.0